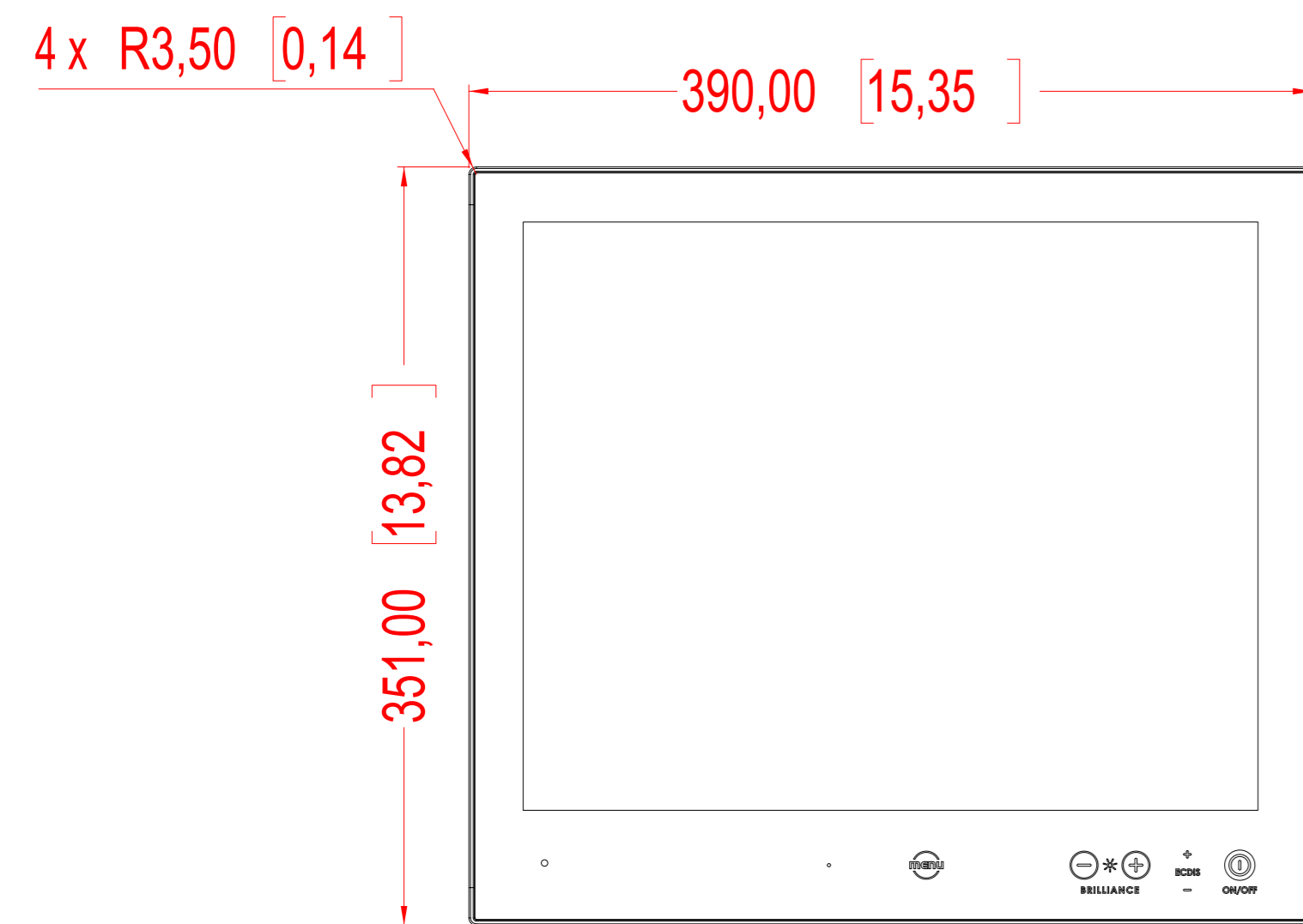
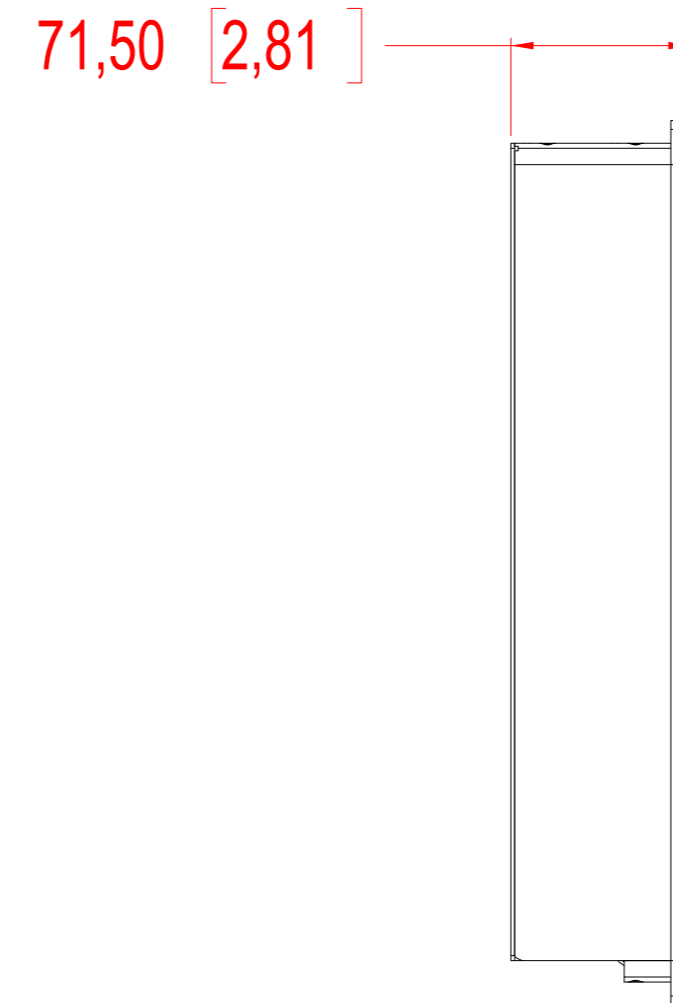


This document is the property of Hatteland Technology AS.  
 This document and any authorized reproduction thereof, must not be used in  
 any way against the interest of Hatteland Technology AS.  
 Any authorized reproduction, in whole or in part, must include this legend.

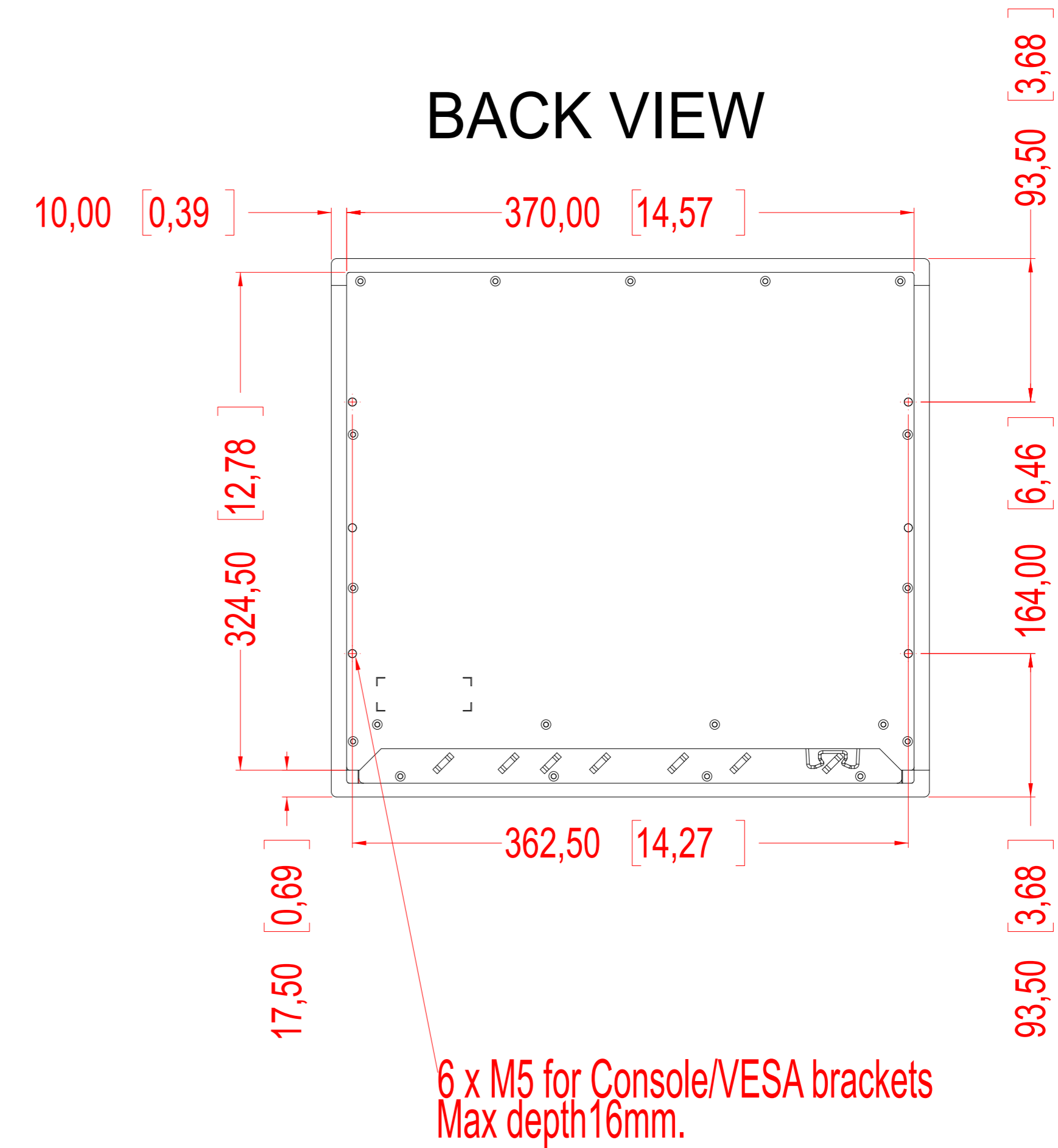
### FRONT VIEW



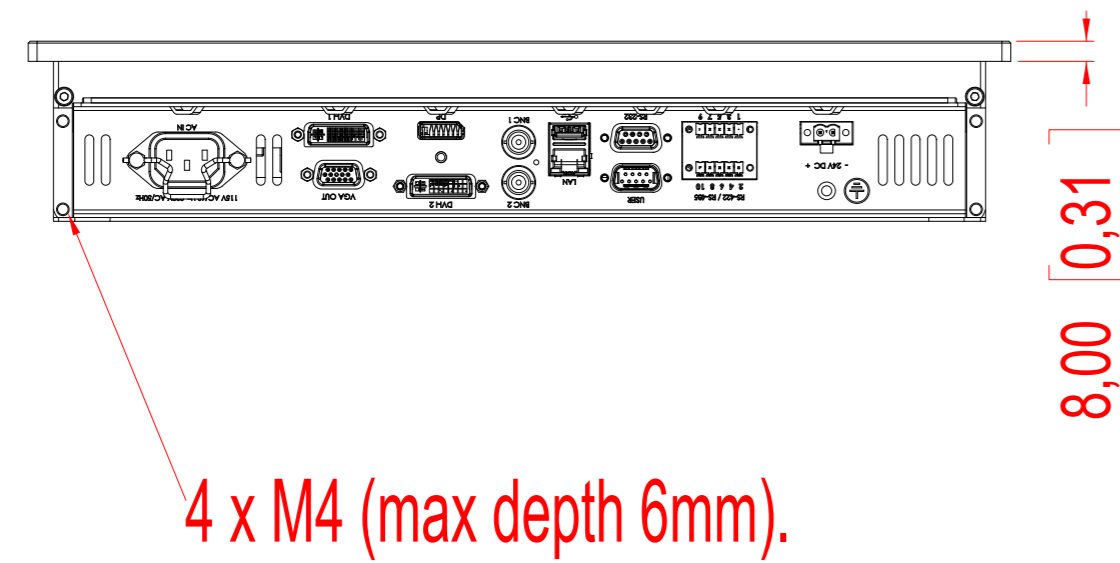
### SIDE VIEW



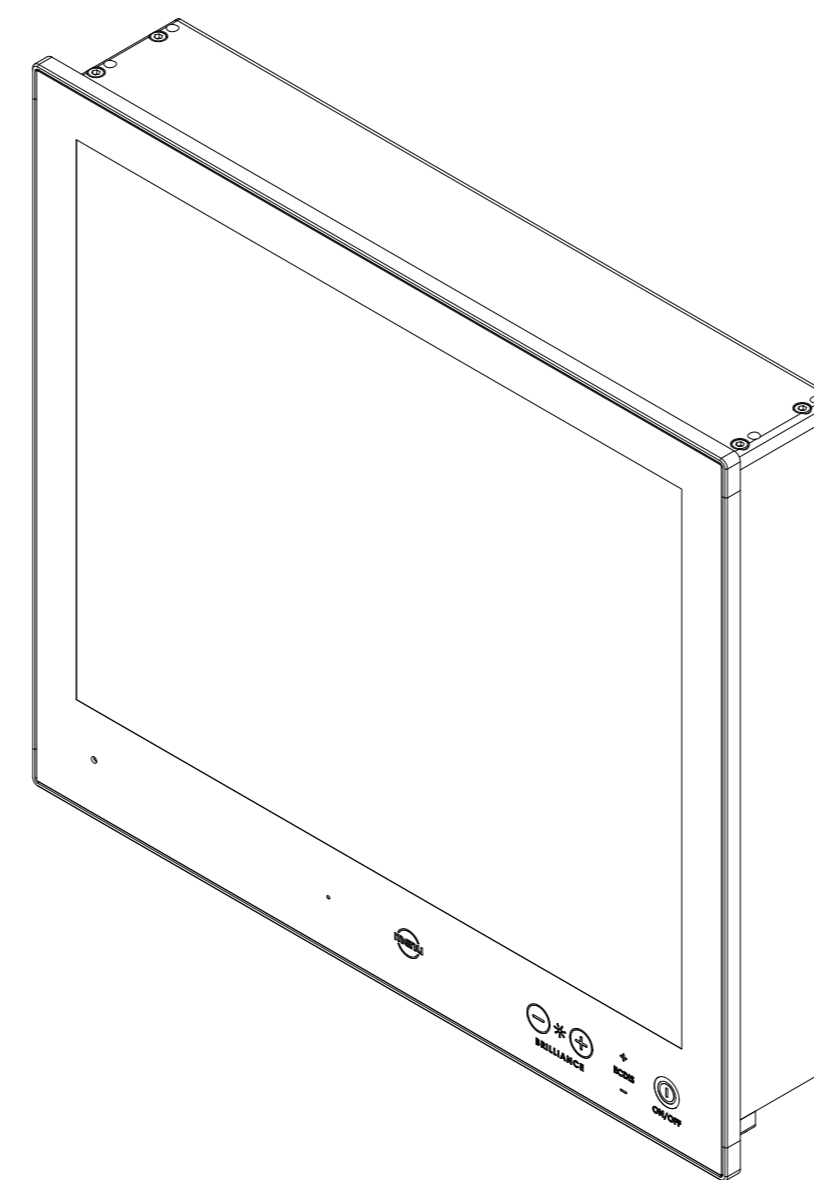
### BACK VIEW



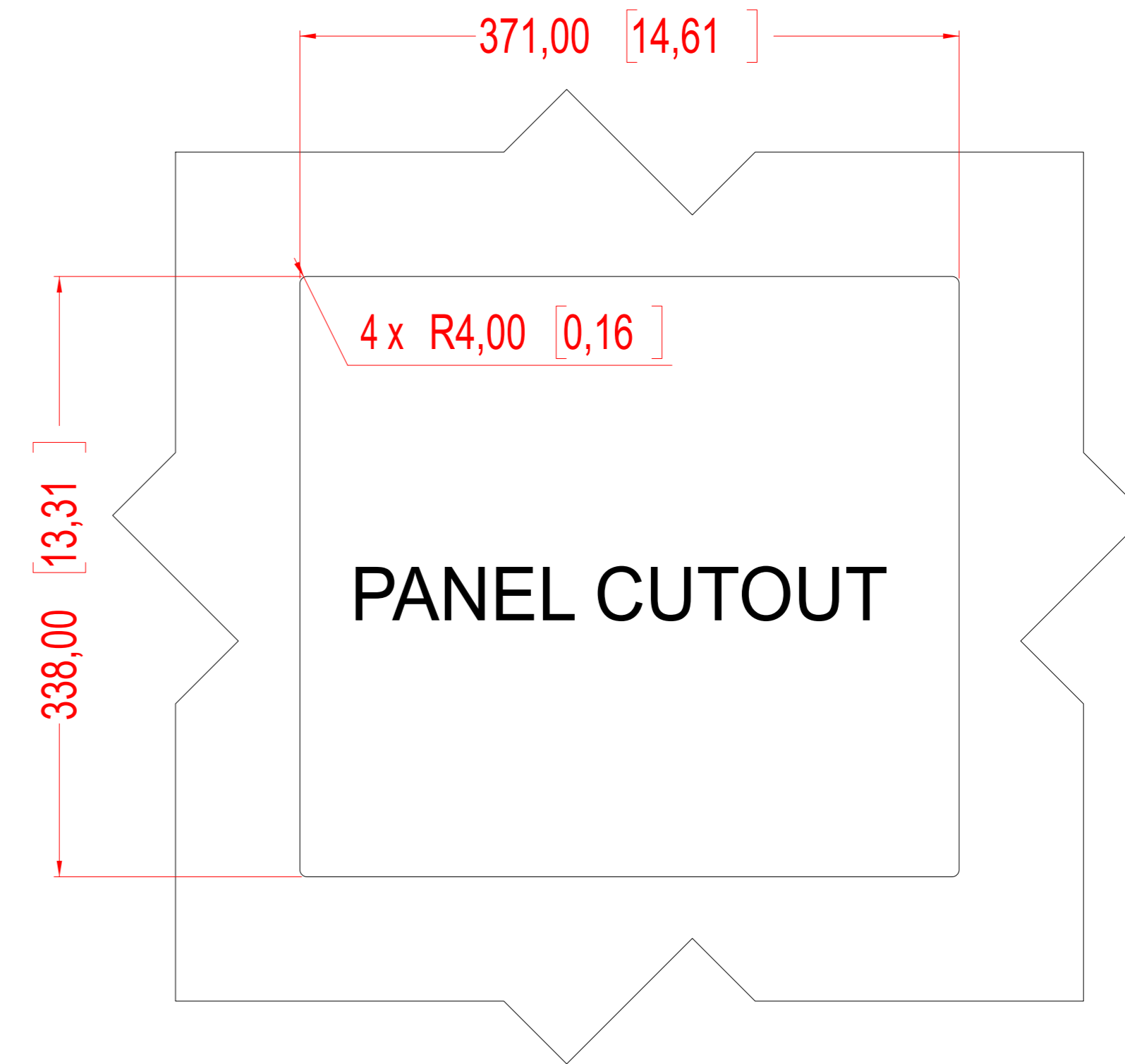
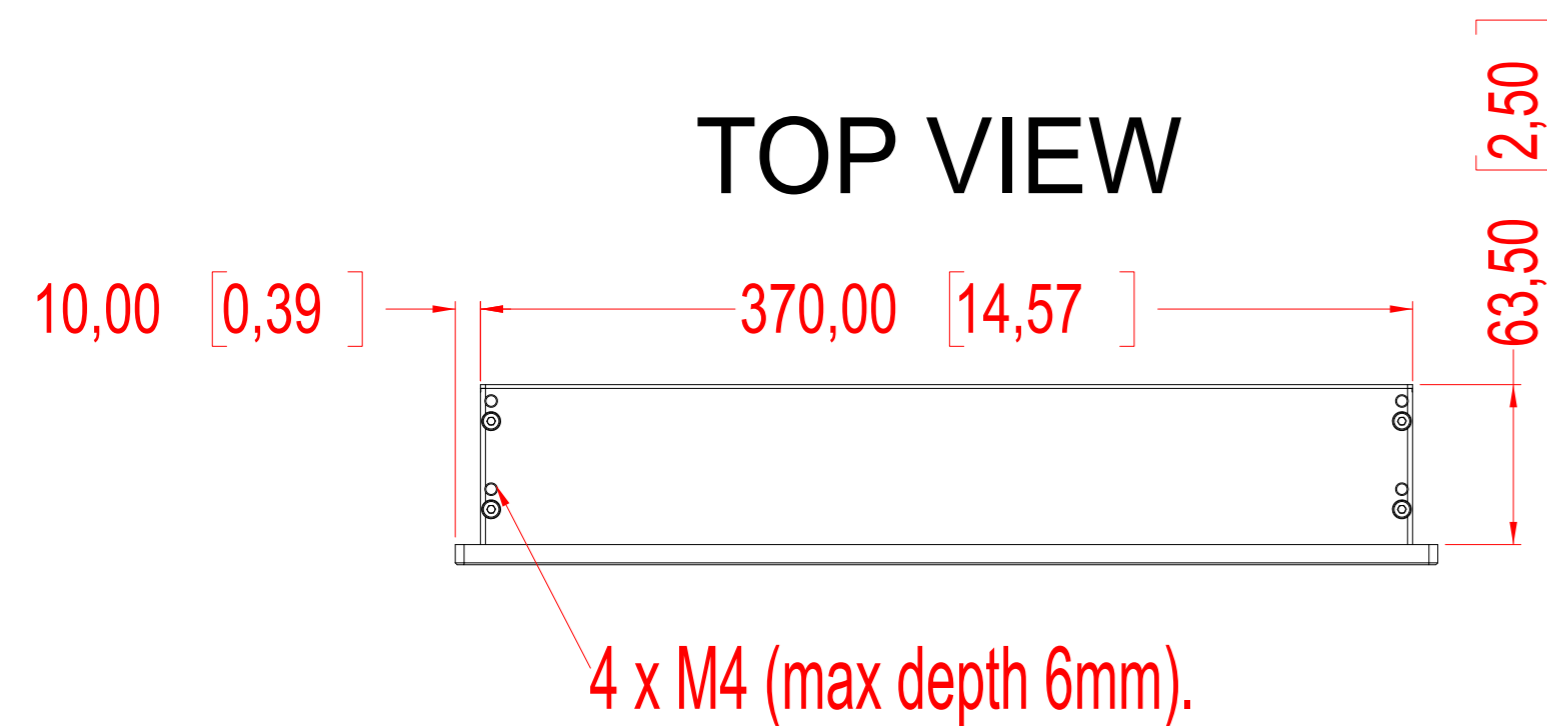
### BOTTOM VIEW



### DIMETRIC VIEW



### TOP VIEW



Units: mm [inches]

## SALES DRAWING HD 17T22 MMD-MA1-FAGA (HW00)

model shown in this drawing, but measurements generally apply for all HD 17T22 MMD-xxx-xxxx models

Date:	Mechanical Designer:	Projection:	A1	<b>HATTELAND TECHNOLOGY</b> <small>an EMBRON Company</small>
22.06.16	7258		Scale: 1:3	
Hatteland Technology AS Eikeskogvegen 52 N-5570 Aksdal			Colour code:	Approved by:
			Surface treatment:	Drawing number: A010077